


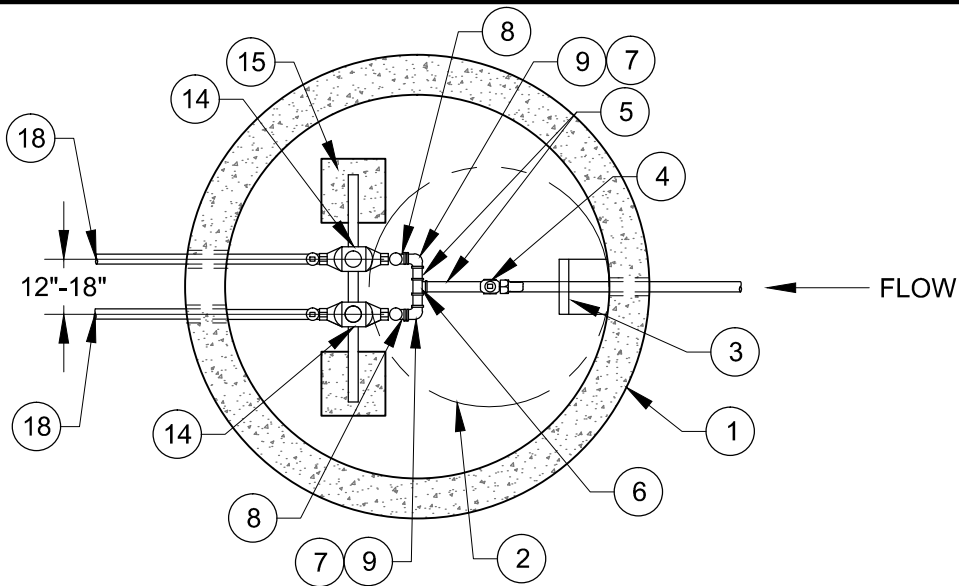
LEGEND AND APPROVED PARTS LIST

ITEM	DESCRIPTION	ACCEPTABLE MANUFACTURER	MODELS
①	METER VAULT FRAME AND COVER (STD. PLAN 529)		
②	MXU REMOTE LOCATION CONDUIT WITH END CAPS, SCH 40 PVC (STD. PLAN 530)		
③	24" DIAMETER METER VAULT PAVED AREAS: REINF. CONCRETE PIPE LANDSCAPE AREAS: RCP ASTM C76 OR CORRUGATED DUAL-WALL HDPE PIPE	HDPE PIPE: ADS	RCP: ASTM C 76 CLASS III; HDPE: MEGA GREEN N-12, OR APPROVED EQUAL
④	METER, SUPPLIED AND INSTALLED BY PCMC		
⑤	3/4" METER YOKE	MUELLER	5/8"x3/4"x9" B2410N-6AN
		FORD	5/8"x3/4" VBHC82-9W-11-33-NL
	1" METER YOKE	MUELLER	1"x12" B2410N-6AN
		FORD	1" VBHC84-12W-11-44-NL
⑥	3/4" OR 1" METER YOKE END CONNECTION	MUELLER	MULTI X M.I.P, H-14223N
		FORD	3/4" OR 1" CLOSE BRASS NIPPLE
⑦	1-1/2" X 3/4" OR 1" BRONZE BUSHING		
⑧	1-1/2" CURB VALVE, F.I.P. X CTS (INLET)	MUELLER	B-25172N
⑨	1-1/2" CONNECTION, F.I.P. X CTS (OUTLET)	MUELLER	H-15451N
		FORD	C-14-66-G-NL
⑩	END CAP AND MARKER, CTS X F.I.P. (OUTLET)	MUELLER	H-15451N AND H-10035N
⑪	MXU AND WIRING, SUPPLIED AND INSTALLED BY PCMC		

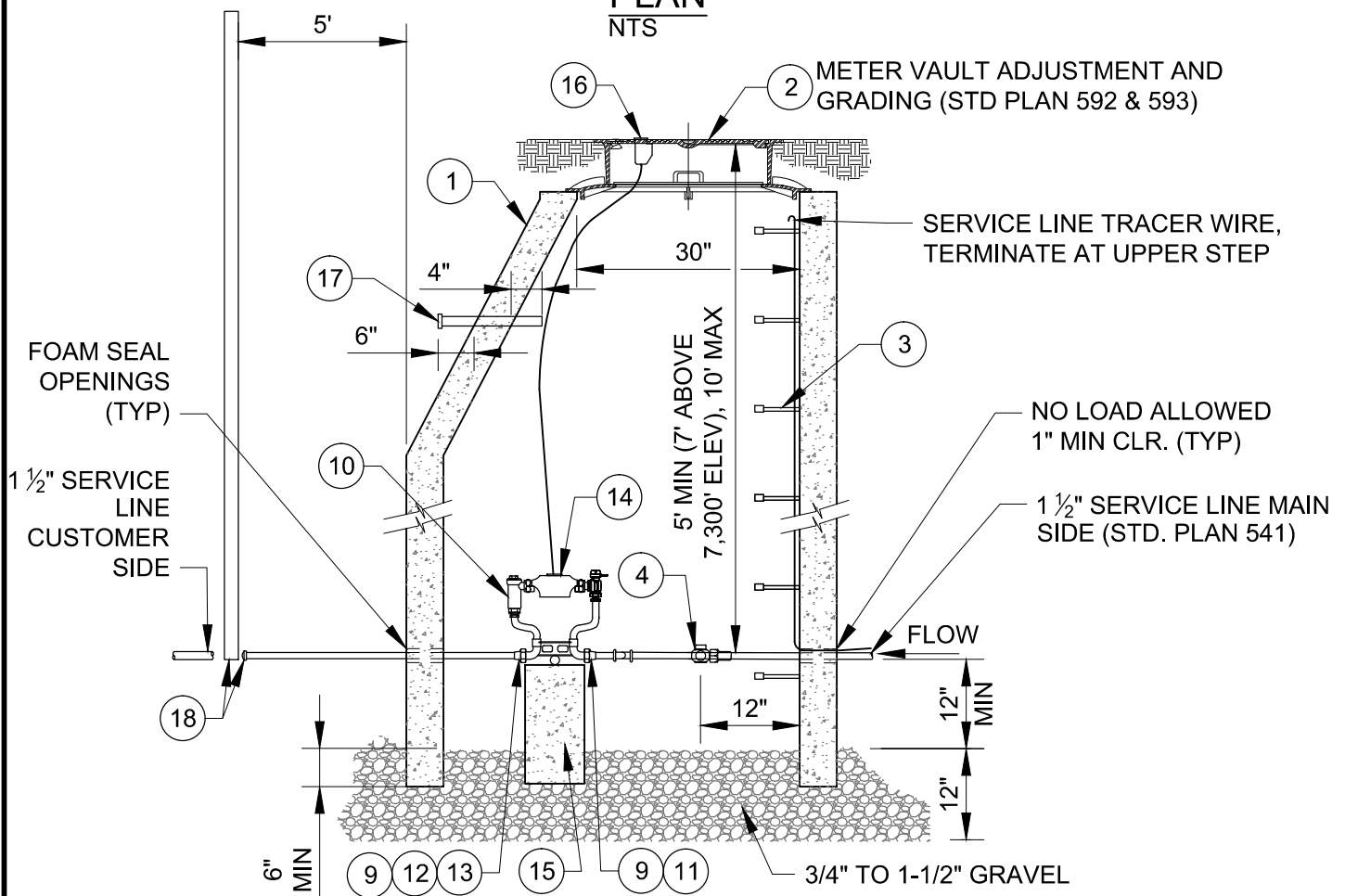
DETAIL NOTES

1. LOCATE METER VAULT PER APPROVED PLANS AND SET METER BOX PLUMB
2. SST INSERT STIFFENERS REQUIRED ON ALL CTS TUBING CONNECTIONS

 PARK CITY MUNICIPAL CORPORATION WATER	DATE	3/4" and 1" SINGLE METER OUTSIDE SETTING	STD. PLAN
	4/2014		521 S
	REV.		
	0		




PLAN
NTS



SECTION
NTS

NOTES:

1. REFER TO STD. PLAN 520 FOR GENERAL REQUIREMENTS - METER, METER VAULT, AND SERVICE LINE.
2. REFER TO STD. PLAN 521 S FOR LEGEND ITEMS, APPROVED PARTS LIST, AND DETAIL NOTES.


 PARK CITY MUNICIPAL CORPORATION WATER	DATE	3/4" AND 1" DUAL METERS OUTSIDE SETTING	STD. PLAN
	03/2014		522
	REV.		
	0		

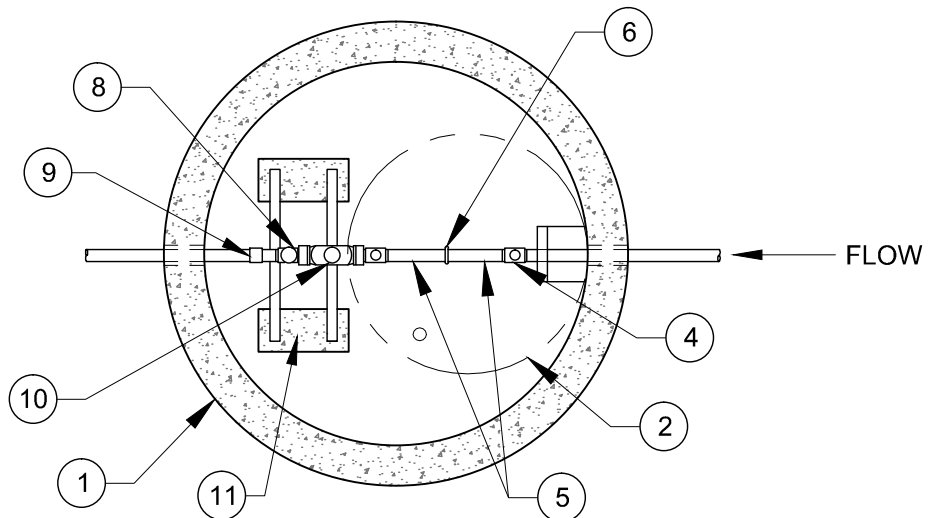
LEGEND AND APPROVED PARTS LIST

ITEM	DESCRIPTION	ACCEPTABLE MANUFACTURER	MODELS
①	4' DIA. MANHOLE, PRECAST CONCRETE ECCENTRIC CONE AND WALL SECTIONS		ASTM C 478
②	METER VAULT FRAME AND COVER (STD PLAN 529)		
③	POLYPROPYLENE ENCASED GRADE 60 STEEL STEPS AT 13" C-C, 13-1/2" TREAD WIDTH	M.A. INDUSTRIES OR APP'D EQUAL	PS2-PFDF
④	1-1/2" CURB VALVE	MUELLER	B-25172N
⑤	1-1/2" DIA. BRASS NIPPLE X 6" LENGTH, M.I.P.		
⑥	1-1/2" DIA. BRONZE TEE, F.I.P., THREADED		
⑦	1-1/2" BRONZE 90° ELBOW, F.I.P., THREADED (2 EA)		
⑧	1-1/2" BRASS NIPPLE X 4" LENGTH, M.I.P. (2 EA)		
⑨	BRONZE BELL REDUCER REQ'D (2 EA) 3/4" YOKE: 1-1/2" X 3/4" 1" YOKE: 1-1/2" X 1" DIA.		
⑩	3/4" METER YOKE (2 EA)	MUELLER	5/8"x3/4"x9" B2404N-6AN
		FORD	5/8"x3/4" VBHC72-9W-11-33-NL
	1" METER YOKE (2 EA)	MUELLER	1"x12" B2404N-6AN
		FORD	1" VBHC72-12W-11-44-NL
⑪	3/4" OR 1" METER YOKE END CONNECTIONS (2 EA)	MUELLER	MULTI X M.I.P., H-14223N
		FORD	3/4" OR 1" CLOSE BRASS NIPPLE
⑫	1-1/2" x 3/4" OR 1" BRONZE BUSHING (OUTLET) (2 EA)		
⑬	1-1/2" CONNECTION, F.I.P. X CTS (OUTLET) (2 EA)	MUELLER	H-15451N
		FORD	C-14-66-G-NL
⑭	METER, SUPPLIED AND INSTALLED BY PCMC (2 EA)		
⑮	PIPE SUPPORTS, GALVANIZED PIPE SUPPORT ROD AND (2) 16"x8"x8" CMU BLOCK		
⑯	MXU AND WIRING, SUPPLIED AND INSTALLED BY PCMC		
⑰	MXU REMOTE LOCATION CONDUIT WITH END CAPS, SCH 40 PVC (STD. PLAN 531)		
⑱	END CAP AND MARKER, CTS X F.I.P. (OUTLET) (2 EA)	MUELLER	H-15451N AND H-10035N

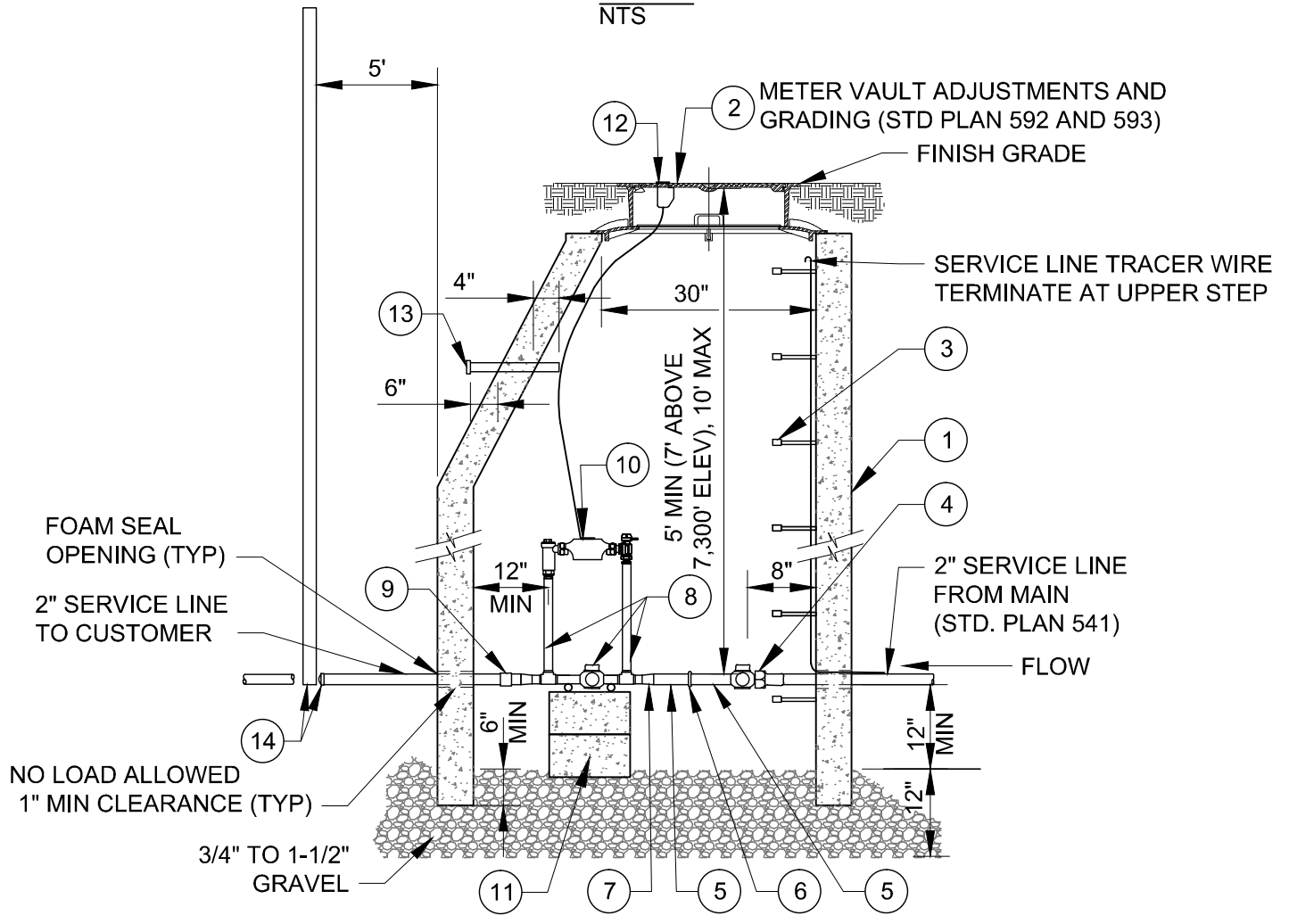
DETAIL NOTES

1. LOCATE METER VAULT PER APPROVED PLANS AND SET METER BOX PLUMB
2. SST INSERT STIFFENERS REQUIRED ON ALL CTS TUBING CONNECTIONS

 PARK CITY MUNICIPAL CORPORATION WATER	DATE	<h2 style="margin: 0;">3/4" and 1" DUAL METER OUTSIDE SETTING</h2>	STD. PLAN
	4/2014		522 S
	REV.		



PLAN
NTS



SECTION
NTS

NOTES:

1. REFER TO STD. PLAN 520 FOR GENERAL REQUIREMENTS - METER, METER VAULT, AND SERVICE LINE.
2. REFER TO STD. PLAN 521 S FOR LEGEND ITEMS, APPROVED PARTS LIST, AND DETAIL NOTES.


 PARK CITY MUNICIPAL CORPORATION WATER	DATE	1-1/2" AND 2" SINGLE METER OUTSIDE SETTING	STD. PLAN
	03/2014		524
	REV.		
	0		

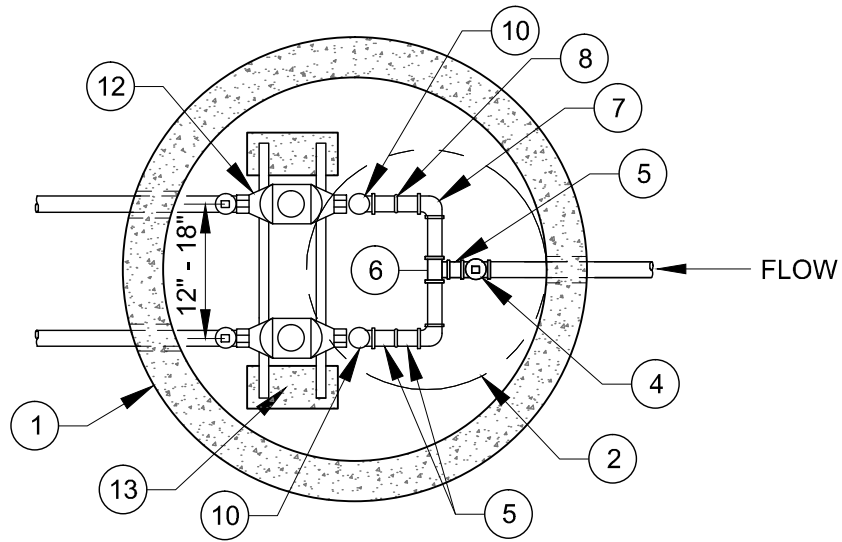
LEGEND AND APPROVED PARTS LIST

ITEM	DESCRIPTION	ACCEPTABLE MANUFACTURER	MODELS
①	5' DIA. MANHOLE, PRECAST CONCRETE ECCENTRIC CONE AND WALL SECTIONS		ASTM C 478
②	METER VAULT FRAME AND COVER (STD. PLAN 529)		
③	POLYPROPYLENE ENCASED GRADE 60 STEEL STEPS AT 13" C-C, 13-1/2" TREAD WIDTH	M.A. INDUSTRIES OR APPV'D EQ.	PS2-PFDF
④	2" CURB VALVE, F.I.P. x CTS	MUELLER	B-25172N
⑤	2" DIA. BRASS NIPPLE x 4" LENGTH, M.I.P.		
⑥	2" BRONZE UNION, F.I.P., THREADED		
⑦	1-1/2" BRASS NIPPLE x 4" LENGTH, 2" x 1-1/2" BRONZE BELL REDUCER, AND 1-1/2" CLOSE BRASS NIPPLE (1-1/2" YOKE ONLY)		
⑧	1-1/2" METER YOKE COMMERCIAL SERVICE: WITH BYPASS RESIDENTIAL SERVICE: WITHOUT BYPASS IRRIGATION SERVICE: WITHOUT BYPASS	MUELLER	1-1/2"x15" B2423-2-01N (WITH BYPASS) 1-1/2"x15" B2422-2N (WITHOUT BYPASS)
		FORD	1-1/2" VBHH76-15B-11-66-NL (WITH BYPASS) 1-1/2" VBHH76-15-11-66-NL (WITHOUT BYPASS)
	2" METER YOKE COMMERCIAL SERVICE: WITH BYPASS RESIDENTIAL SERVICE: WITHOUT BYPASS IRRIGATION SERVICE: WITHOUT BYPASS	MUELLER	2"x15" B2423-2-01N (WITH BYPASS) 2"x15" B2422-2N (WITHOUT BYPASS)
		FORD	2" VBHH77-15B-11-77-NL (WITH BYPASS) 2" VBHH77-15-11-77-NL (WITHOUT BYPASS)
⑨	2" CONNECTION, F.I.P. x CTS AND 2" BRASS NIPPLE x 4" LENGTH (OUTLET); 1-1/2" YOKE ONLY: ADD 2"x1-1/2" BRONZE BELL REDUCER AND 1-1/2" CLOSE BRASS NIPPLE	MUELLER	H-15451N
		FORD	C-14-66-G-NL
⑩	METER, SUPPLIED AND INSTALLED BY PCMC		
⑪	PIPE SUPPORTS (4) 16"x8"x8" CMU BLOCK, (2) METER SUPPORT RODS, GALVANIZED		
⑫	MXU AND WIRING, SUPPLIED AND INSTALLED BY PCMC		
⑬	MXU REMOTE LOCATION CONDUIT WITH END CAPS, SCH 40 PVC (STD. PLAN 531)		
⑭	END CAP AND MARKER, CTS x F.I.P. (OUTLET)		H-15451N AND H-10035N

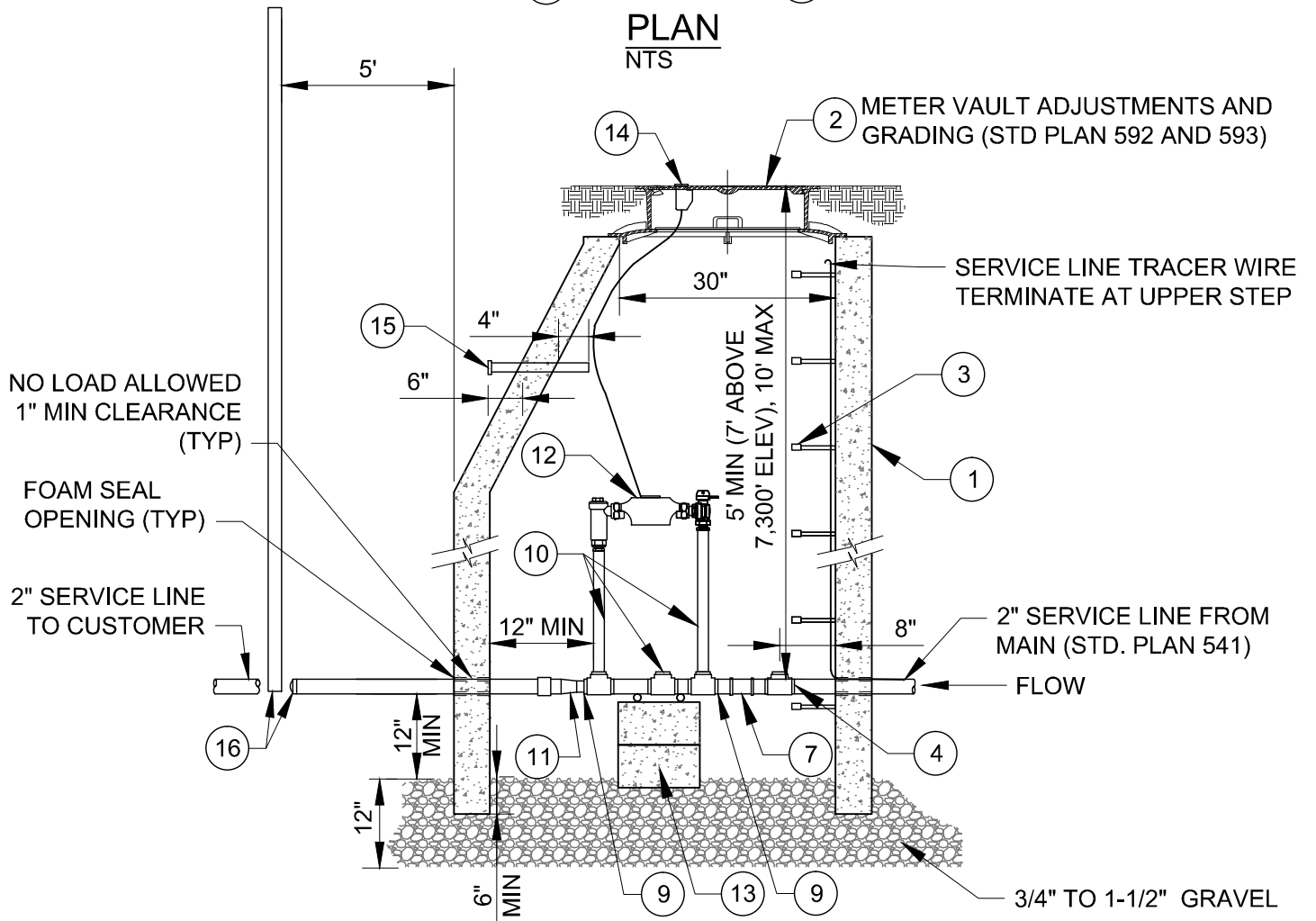
DETAIL NOTES

1. LOCATE METER VAULT PER APPROVED PLANS AND SET METER BOX PLUMB
2. SST INSERT STIFFENERS REQUIRED ON ALL CTS TUBING CONNECTIONS

 PARK CITY MUNICIPAL CORPORATION WATER	DATE	1-1/2" and 2" SINGLE METER OUTSIDE SETTING	STD. PLAN
	3/2014		524 S
	REV.		



PLAN
NTS



SECTION
NTS

NOTES:

1. REFER TO STD. PLAN 520 FOR GENERAL REQUIREMENTS - METER, METER VAULT, AND SERVICE LINE.
2. REFER TO STD. PLAN 521 S FOR LEGEND ITEMS, APPROVED PARTS LIST, AND DETAIL NOTES.



PARK CITY MUNICIPAL CORPORATION
WATER

DATE

03/2014

REV.

0

**1-1/2" DUAL METERS
OUTSIDE SETTING**

STD. PLAN


525

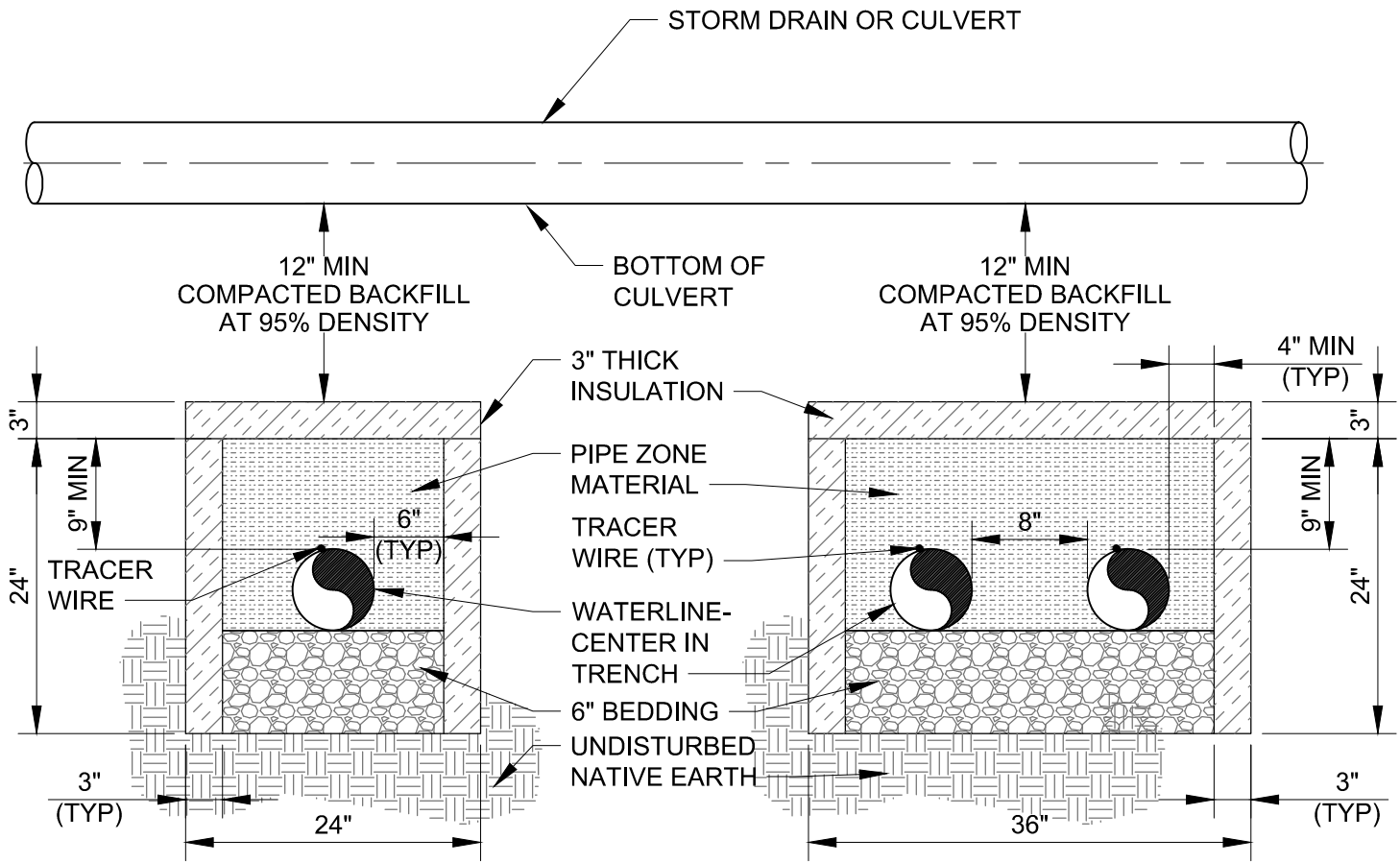
LEGEND AND APPROVED PARTS LIST

ITEM	DESCRIPTION	ACCEPTABLE MANUFACTURER	MODELS
①	5' DIA. MANHOLE, PRECAST CONCRETE ECCENTRIC CONE AND WALL SECTIONS		ASTM C 478
②	METER VAULT FRAME AND COVER (STD. PLAN 529)		
③	POLYPROPYLENE ENCASED GRADE 60 STEEL STEPS AT 13" C-C, 13-1/2" TREAD WIDTH	M.A. INDUSTRIES OR APPV'D EQ.	PS2-PFDF
④	2" CURB VALVE, F.I.P. x CTS	MUELLER	B-25172N
⑤	2" DIA. BRASS NIPPLE x 3" LENGTH, M.I.P. (5 EA)		
⑥	2" DIA. BRONZE TEE, F.I.P., THREADED		
⑦	2" BRONZE 90° ELBOW, F.I.P., THREADED (2 EA)		
⑧	2" BRONZE UNION, F.I.P., THREADED (2 EA)		
⑨	1-1/2" BRASS NIPPLE x 4" LENGTH, 2" x 1-1/2" BRONZE BELL REDUCER, AND 1-1/2" CLOSE BRASS NIPPLE (2 EA)		
⑩	1-1/2" METER YOKE (2 EA) COMMERCIAL SERVICE: WITH BYPASS RESIDENTIAL SERVICE: WITHOUT BYPASS IRRIGATION SERVICE: WITHOUT BYPASS	MUELLER	1-1/2"x15" B2423-2-01N (WITH BYPASS) 1-1/2"x15" B2422N (WITHOUT BYPASS)
		FORD	1-1/2" VBHH76-15B-11-66-NL (WITH BYPASS) 1-1/2" VBHH76-15-11-66-NL (WITHOUT BYPASS)
⑪	2" CONNECTION, F.I.P. x CTS; 2" BRASS NIPPLE x 4" LENGTH; 2"x1-1/2" BRONZE BELL REDUCER; AND 1-1/2" CLOSE BRASS NIPPLE (OUTLET) (2 EA)	MUELLER	H-15451N
		FORD	C-14-66-G-NL
⑫	METER, SUPPLIED AND INSTALLED BY PCMC (2 EA)		
⑬	PIPE SUPPORTS (4) 16"x8"x8" CMU BLOCK, (2) METER SUPPORT RODS, GALVANIZED		
⑭	MXU AND WIRING, SUPPLIED AND INSTALLED BY PCMC		
⑮	MXU REMOTE LOCATION CONDUIT WITH END CAPS, SCH 40 PVC (STD. PLAN 531)		
⑯	END CAP AND MARKER, CTS X F.I.P. (OUTLET) (2 EA)		H-15451N AND H-10035N

DETAIL NOTES

1. LOCATE METER VAULT PER APPROVED PLANS AND SET METER BOX PLUMB
2. SST INSERT STIFFENERS REQUIRED ON ALL CTS TUBING CONNECTIONS

 PARK CITY MUNICIPAL CORPORATION WATER	DATE	1-1/2" DUAL METERS OUTSIDE SETTING	STD. PLAN
	4/2014		525 S
	REV.		



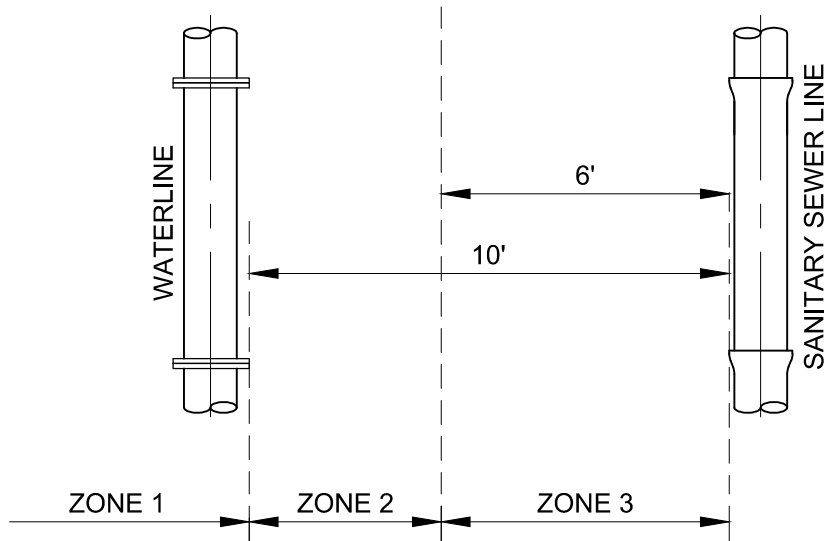
ONE LINE IN TRENCH

TWO LINES IN TRENCH

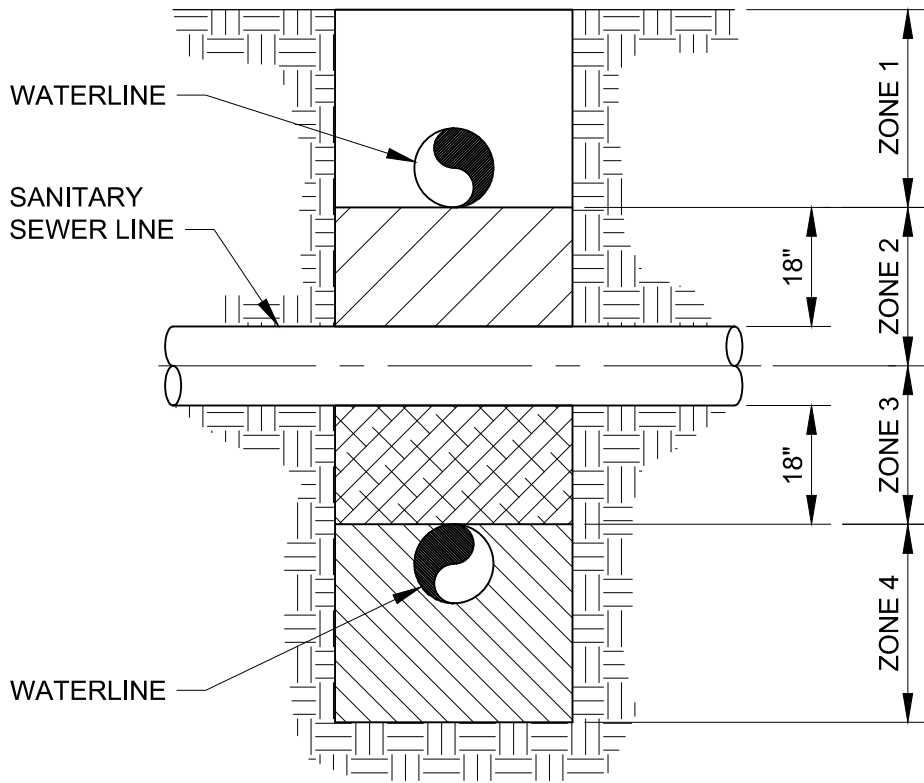
NOTES:

1. WHERE WATERLINES INTERSECT STORM DRAINS OR CULVERTS, INSTALL WATERLINE WITH FROST SHIELD. EXTEND FROST SHIELD A MINIMUM OF 3- FEET ON BOTH SIDES STORM DRAIN OR CULVERT.
2. INSULATION SHALL BE 3-INCH THICK INSULATION BOARD (DOW STYROFOAM HIGHLOAD - 60 INSULATION OR APPROVED EQUAL).
3. ALL BACKFILL MATERIAL, INCLUDING SPECIAL BEDDING AND PIPE ZONE MATERIAL, SHALL BE COMPACTED TO AT LEAST 95% DENSITY TO PROVIDE AN ADEQUATE FOUNDATION FOR THE CULVERT AND ROADWAY.
4. INSTALL TRACER WIRES AS REQUIRED (STD. PLAN 540, 541 AND 545)

 PARK CITY MUNICIPAL CORPORATION WATER	DATE	PIPE INSULATION AT STORM DRAIN CROSSINGS	STD. PLAN
	3/2014		546
	REV.		
	0		



HORIZONTAL SEPARATION REQUIREMENTS



VERTICAL SEPARATION REQUIREMENTS

NOTES:

1. SEE STD. PLAN 547-B FOR HORIZONTAL AND VERTICAL SEPARATION REQUIREMENT NOTES.

 PARK CITY MUNICIPAL CORPORATION WATER	DATE	WATER - SANITARY SEWER SEPARATION	STD. PLAN
	3/2014		547-A
	REV.		
	0		

HORIZONTAL SEPARATION NOTES:

1. ZONE 1: WATER LINE AND SEWER LINE SEPARATED 10 FEET OR GREATER – NO SPECIAL REQUIREMENTS
 ZONE 2: WHERE LOCAL CONDITIONS AND SITE SPECIFIC CONDITIONS PRECLUDE ZONE 1 SEPARATION – SPECIAL REQUIREMENTS APPLY:
 A) APPROVAL BY DIVISION OF ENVIRONMENTAL QUALITY, DIVISION OF DRINKING WATER AND,
 B) SEWER PIPES IN GOOD CONDITION AND,
 C) NO HIGH GROUNDWATER AND,
 D) WATER LINE SEPARATED BY AT LEAST 6 FEET AT OUTSIDE PIPE WALLS AND,
 E) BOTTOM OF WATER LINE IS AT LEAST 18 INCHES ABOVE TOP OF SEWER LINE AND,
 F) WATER LINE CONSTRUCTED WITH MECHANICAL, RESTRAINED JOINT PIPE
 ZONE 3: WATER LINE AND SEWER LINE SEPARATED LESS THAN 6 FEET – NOT ALLOWED WITHOUT APPLICATION TO AND APPROVAL BY UTAH DIVISION OF ENVIRONMENTAL QUALITY, DIVISION OF DRINKING WATER FOR EXCEPTION TO THE RULE. ADDITIONAL MITIGATION MEASURES TO PROTECT PUBLIC HEALTH REQUIRED
2. ADDITIONAL WATER-SEWER SEPARATION AND/OR SPECIAL PIPE MATERIALS MAY BE REQUIRED IN AREAS OF HIGH GROUNDWATER, SOILS CONDITIONS, OR SPECIAL SEWER LINE CONTENTS
3. SERVICE LINE TAPS NOT ALLOWED IN ZONE 2
4. SERVICE LINE TAPS WITHIN ZONE 3 ALLOWED ONLY BY SITE SPECIFIC APPROVAL BY DIVISION OF ENVIRONMENTAL QUALITY, DIVISION OF DRINKING WATER
5. SANITARY SEWER FORCE MAINS:
 - a. WATER LINE TO MAINTAIN 10 FEET HORIZONTAL SEPARATION AND 18 INCHES VERTICAL SEPARATION ABOVE SEWER FORCE MAIN
 - b. NEW SEWER FORCE MAIN CROSSING UNDER AN EXISTING WATER MAIN TO BE ENCLOSED IN A CONTINUOUS SLEEVE
 - c. NEW WATER MAIN CROSSING OVER AN EXISTING SEWER FORCE MAIN, 200 PSI MINIMUM WORKING PRESSURE RATED PIPE MATERIALS REQUIRED
6. CONSULT SNYDERVILLE BASIN WATER RECLAMATION DISTRICT FOR ADDITIONAL SANITARY SEWER RELATED REQUIREMENTS AND SEWER LINE MODIFICATIONS

VERTICAL SEPARATION NOTES:

1. ZONE 1: WATER LINE ABOVE SEWER LINE AND SEPARATED 18 INCHES OR GREATER – NO SPECIAL REQUIREMENTS
 ZONE 2: WATER LINE ABOVE SEWER LINE SEPARATED LESS THAT 18 INCHES – LOOP WATER LINE, REFER TO STD. PLANS 543 AND 544. INSTALL CONTROLLED LOW-STRENGTH MATERIAL (CLSM), “FLOWABLE FILL”, 100 PSI MINIMUM TO 150 PSI MAXIMUM MIX DESIGN, FOR FULL TRENCH WIDTH WITHIN WATER PIPE ZONE AND TO TOP OF SEWER LINE
 ZONE 3: WATER LINE BELOW SEWER LINE SEPARATED LESS THAN 18 INCHES – LOOP WATER LINE, REFER TO STD. PLANS 543 AND 544. INSTALL CONTROLLED LOW-STRENGTH MATERIAL (CLSM), “FLOWABLE FILL”, 100 PSI MINIMUM TO 150 PSI MAXIMUM MIX DESIGN, FOR FULL TRENCH WIDTH WITHIN WATER PIPE ZONE AND TO 18 INCHES ABOVE SEWER LINE
 ZONE 4: WATER LINE BELOW SEWER LINE SEPARATED GREATER THAN 18 INCHES - CENTER ONE FULL UNCUT LENGTH OF WATER PIPE OVER THE CROSSING AND PROVIDE MECHANICAL RESTRAINED PIPE JOINTS UNTIL THE WATER PIPE EXTENDS TO A DISTANCE OF 10 FEET PERPENDICULAR TO EACH SIDE OF THE SEWER LINE. INSTALL CONTROLLED LOW-STRENGTH MATERIAL (CLSM), “FLOWABLE FILL”, 100 PSI MINIMUM TO 150 PSI MAXIMUM MIX DESIGN, FOR FULL TRENCH WIDTH WITHIN WATER PIPE ZONE AND TO 18 INCHES ABOVE SEWER LINE
2. SERVICE LINE TAPS NOT ALLOWED IN ZONES 2 AND 3.
3. SANITARY SEWER FORCE MAINS: SEE HORIZONTAL SEPARATION REQUIREMENTS, NOTE 5,
4. CONSULT SNYDERVILLE BASIN WATER RECLAMATION DISTRICT FOR ADDITIONAL SANITARY SEWER RELATED REQUIREMENTS AND SEWER LINE MODIFICATIONS

 PARK CITY MUNICIPAL CORPORATION WATER	DATE	WATER – SANITARY SEWER SEPARATION NOTES	STD. PLAN
	5/2014		547-B
	REV.		